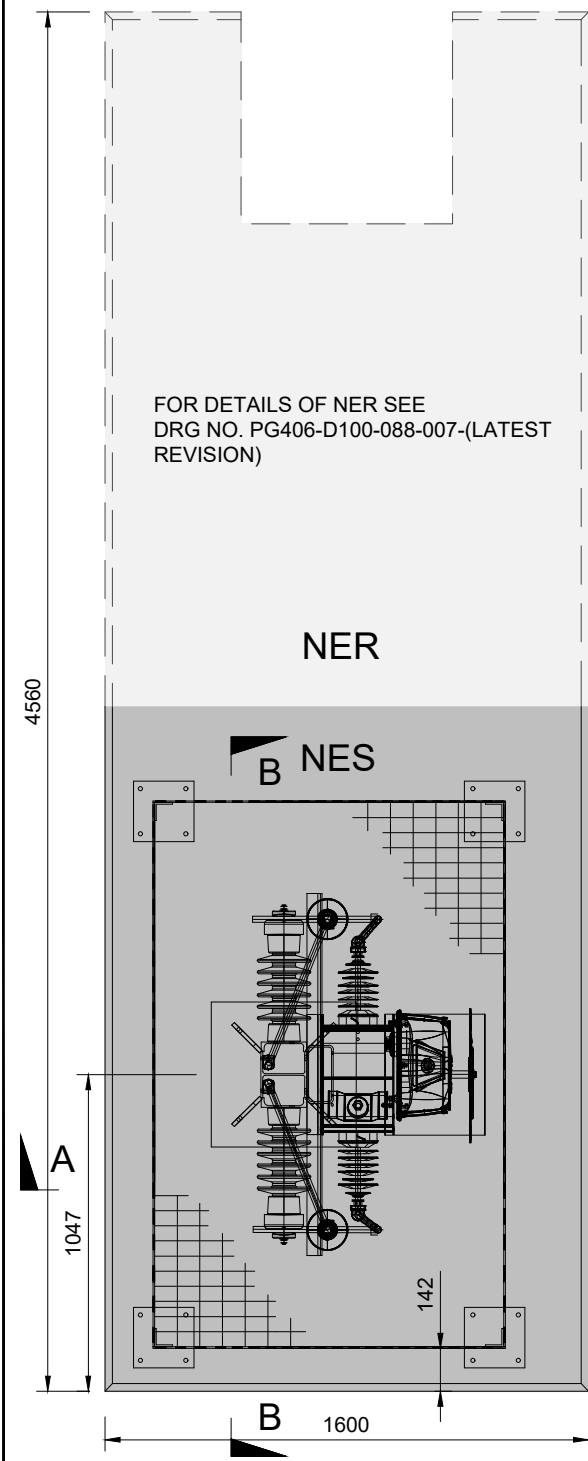
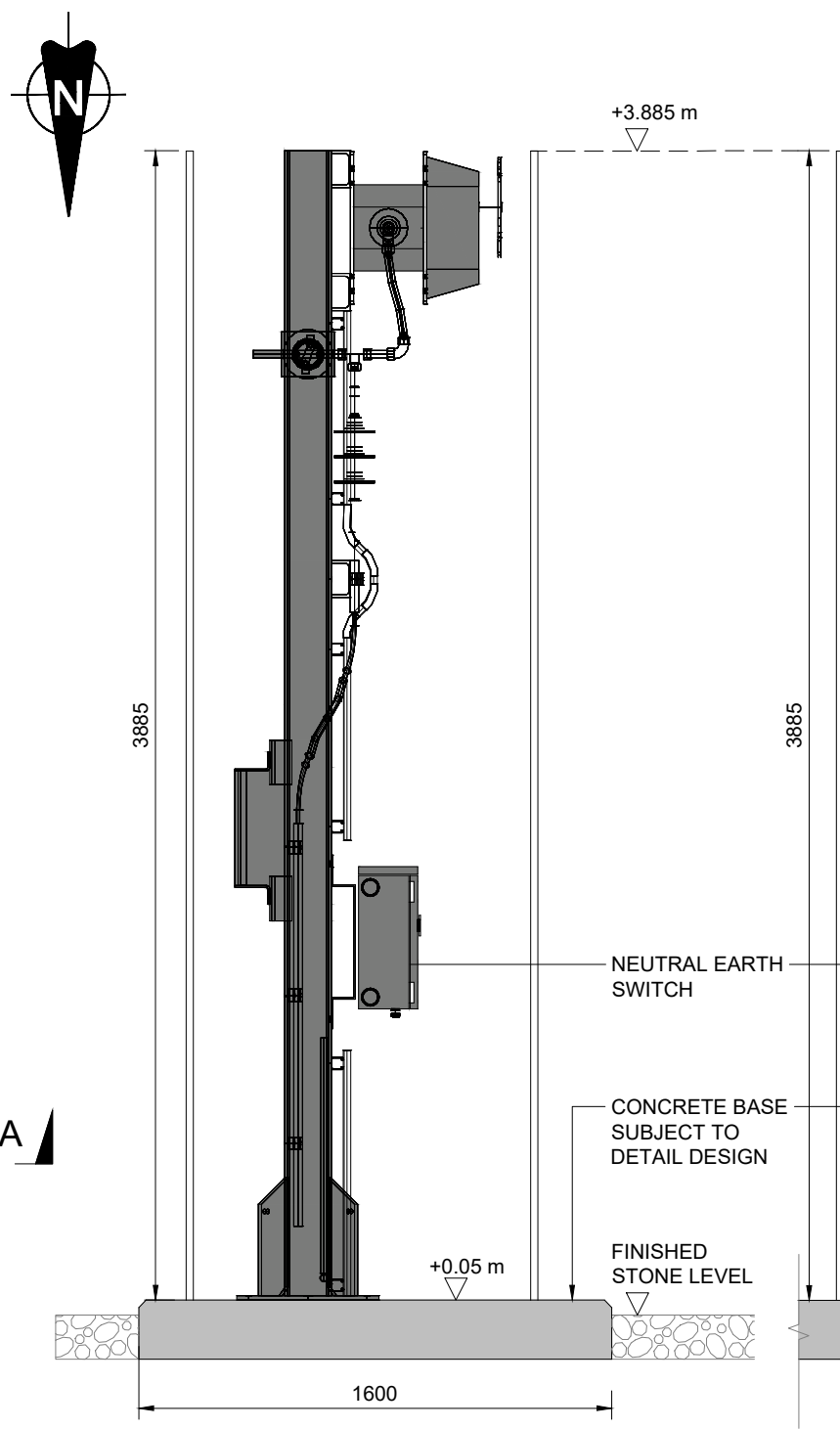


**NOTES:**

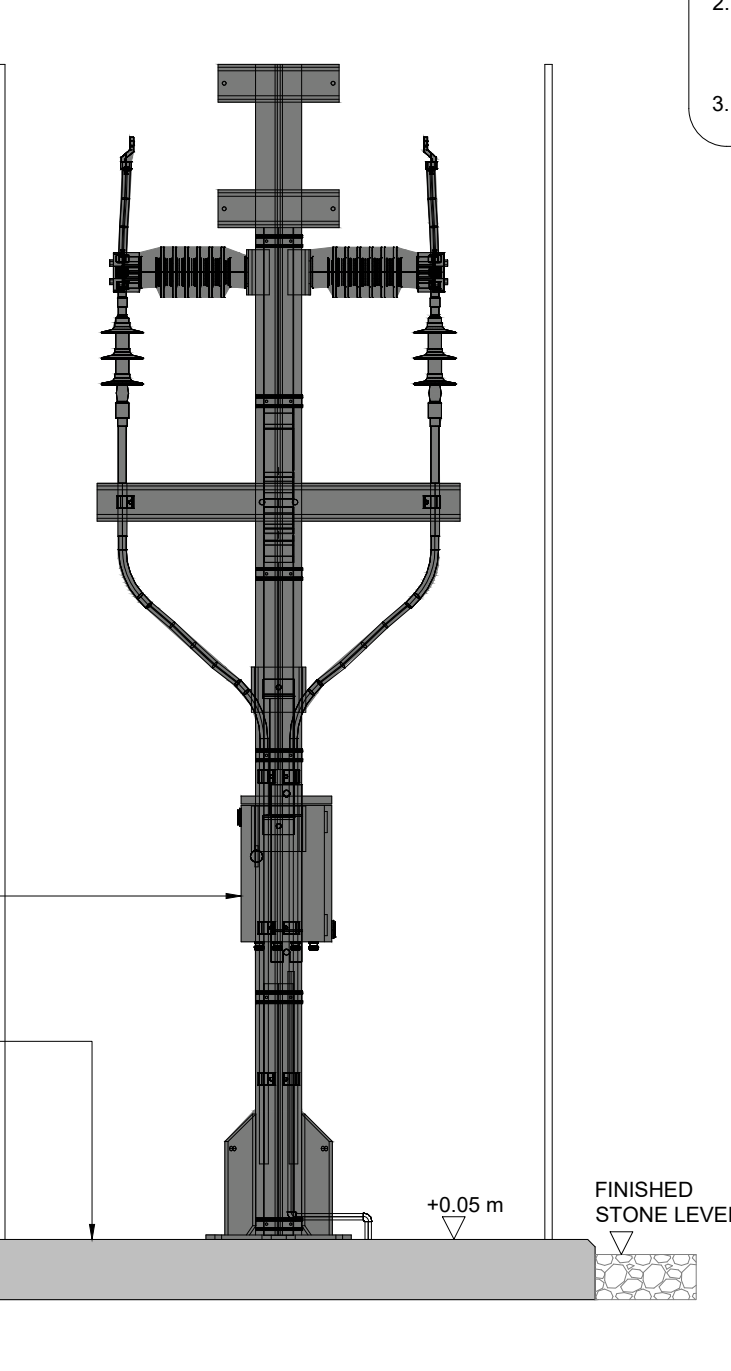
1. ALL DIMENSIONS IN mm UNLESS OTHERWISE STATED. NO DIMENSIONS SHALL BE SCALED FROM THE DRAWINGS.
2. LEVELS PROVIDED ON THIS DRAWING ARE SHOWN RELATIVE TO FINISHED STONE LEVEL. FOR SITE SPECIFIC LEVELS, REFER TO SITE SECTIONS AND ELEVATIONS.
3. THIS DRAWING IS FOR PLANNING PURPOSES ONLY AND NOT FOR CONSTRUCTION.



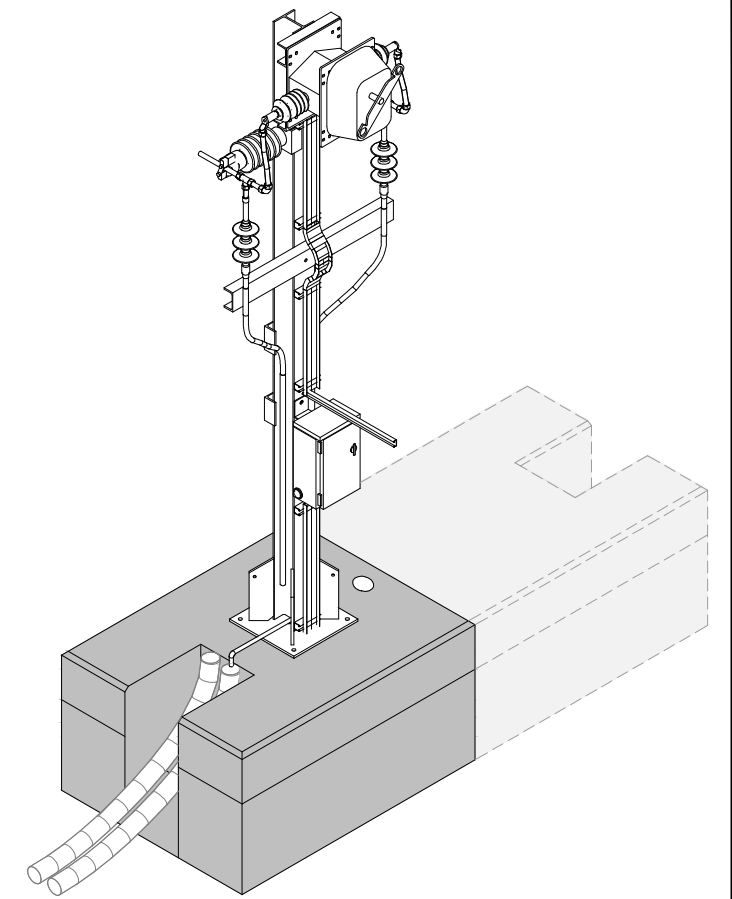
**PLAN ON NES**  
SCALE 1:25



**SECTION A-A**  
SCALE 1:25



**SECTION B-B**  
SCALE 1:25



**ISOMETRIC VIEW**  
NTS

Rev	Date	Revision description	Drn.	Prod.	Ver.	App.
1	FEB 26	MINOR MODIFICATIONS				
0	JUN 25	ISSUED FOR PLANNING	JB	JB	SD	KON

Purpose of issue - Preliminary unless indicated  
 Client Approval  Planning  Tender  Construction  As-Built



**Engineering and Major Projects,**  
One Dublin Airport Central,  
Dublin Airport, Cloghran,  
Co. Dublin, K67 XF72, Ireland.  
Tel: 353 1 703 8000 Web: www.esb.ie  
Engineering and Major Projects is a  
division of ESB.

<b>Client</b>	<b>ESB NETWORKS</b>
<b>Project</b>	<b>General Civil Drawings and Notes</b>
<b>Contract</b>	

<b>Drawing title</b>	<b>GENERAL DRAWINGS AND NOTES PLANNING TYPICAL NES DETAILS</b>
<b>Production unit</b>	<b>Transmission and Distribution Delivery</b>

COPYRIGHT © ESB  
ALL RIGHTS RESERVED. NO PART OF THIS WORK MAY BE MODIFIED, REPRODUCED OR COPIED IN ANY FORM OR BY ANY MEANS  
GRAPHIC, ELECTRONIC OR MECHANICAL, INCLUDING PHOTOCOPYING, RECORDING, TAPING OR USED FOR ANY PURPOSE  
OTHER THAN ITS DESIGNATED PURPOSE, WITHOUT THE WRITTEN PERMISSION OF ESB.

<b>Drawn</b>	<b>Produced</b>	<b>Verified</b>	<b>Approved</b>	<b>Approval date</b>
M.Malinowska	L.McManus	R.OToole	S. Donnelly	24/02/2026
<b>Client ref.</b>	<b>No. of sheets</b>	<b>Size</b>	<b>Scale</b>	
TC234181	1	A3	AS SHOWN	
<b>Drawing number</b>	<b>PG406-D100-088-006-001</b>			<b>SHEET</b>   <b>REV</b>